

Bridging/Mono Interface

The CNXBRMO is designed for use with a Crestron **CNX-PAD8A** or **CNX-BIPAD8** audio distribution processor to facilitate bridging of a **CNAMPX-16X60** or **CNAMPX-12X60** multi-room amplifier. Bridging allows two adjacent amplifier channels to be combined for increased output power.

The CNXBRMO accepts the stereo signal from a single room output and splits that signal into two stereo outputs, the polarity of one output inverted in relation to the other. These two outputs connect to the inputs of two adjacent stereo channels on the CNAMPX amplifier. Resultantly, the two stereo amplifier channels produce inversely proportionate signals so that the combined output can be used to drive a single stereo pair of speakers with over 200 Watts of output power per speaker.

On either amplifier model, only the first two adjacent channels and the last two adjacent channels are bridgeable. Therefore, no more than two CNXBRMO interfaces may be used with a single CNAMPX amplifier.

The CNXBRMO can also be configured to produce a summed-mono signal to up to four outputs, although the polarity of two of the outputs remains inverted.

SPECIFICATIONS

Connectors

INPUT: (2) RCA female;
Unbalanced stereo line-level audio input;
Maximum Input Level: 2.5 Vrms;
Input Impedance: 10k ohms;
Connects to any room output of **CNX-PAD8A** or **CNX-BIPAD8**

OUTPUT: (2) RCA female;
Unbalanced stereo line-level audio output;
Maximum Output Level: 2.5 Vrms;
Output Impedance: 600 ohms;
Connects to specific inputs of CNAMPX-series amplifier

INVERTED OUTPUT: (2) RCA female;
Unbalanced stereo line-level audio output;
Connects to specific inputs of CNAMPX-series amplifier

Ground: 6-32 screw, chassis ground lug

NET: (1) 6-pin RJ11 female;
Cresnet slave port, connects to Cresnet control network

LED Indicators

PWR: (1) green LED, indicates 24 Volts DC power supplied from Cresnet control network

Switches

STEREO/MONO: Selects between bridging (STEREO) or mono-summing (MONO)

Power Requirements

Cresnet Power Usage: <1 Watt @ 24 Volts DC

Environmental

Temperature: 41° to 122°F (5° to 50°C)
Humidity: 10% to 90% RH (non-condensing)



Enclosure

Black metal, surface mount box with (2) integral mounting flanges

Dimensions

Height: 1.26 in (3.19 cm)
Width: 5.75 in (14.61 cm)
Depth: 2.54 in (6.44 cm)

Weight

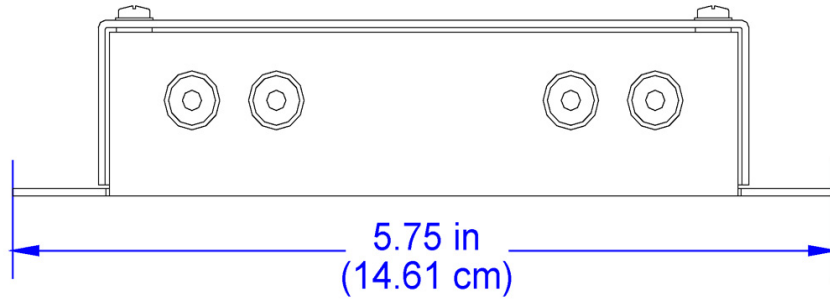
0.54 lb (0.24 kg)

Available Models

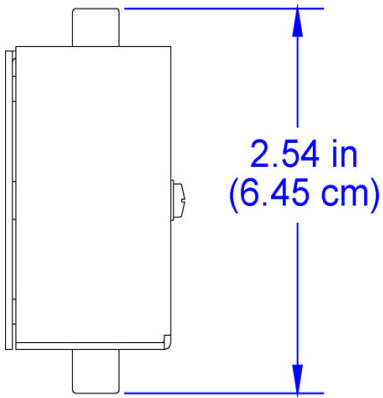
CNXBRMO: Bridging and Mono-Summing Adapter for CNAMPX-12X60 and CNAMPX-16X60

CNXBRMO Bridging/Mono Interface

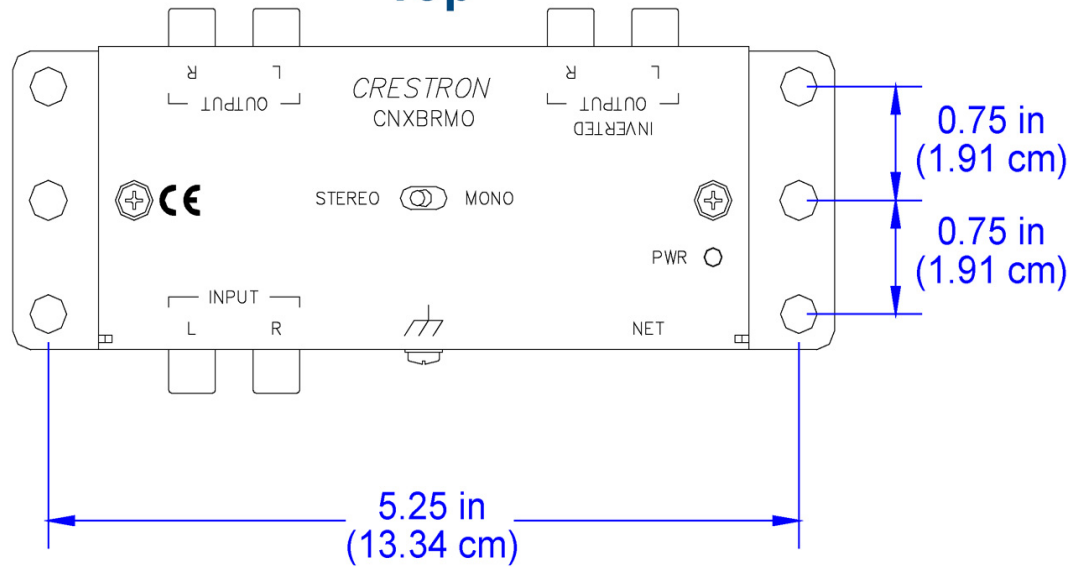
Front



Side



Top



Back

