

IMI-FTCCV-M

iMedia FlipTop Computer & Video Center - International Version

Crestron's iMedia provides an extremely simple and affordable multimedia presentation control solution for small conference rooms and training rooms. No comparable solution comes close to matching iMedia's speed and ease of installation, intuitive operation, and network manageability at such an incredibly low cost.

The iMedia Transport

The iMedia transport utilizes a single CAT5e* type cable to transmit computer RGB, video, and stereo audio signals to a single projector or plasma display. A typical XGA signal (1024 X 768 pixels at 60Hz) can be transmitted up to 84 feet using iMedia, while higher resolutions up to 1600 x 1200 can be handled over shorter distances. Audio is transmitted digitally at 20-bit, 48 kHz resolution. Control and power signals are also contained on the same wire, eliminating the need for separate control or power cables.

FlipTop Multimedia Interface

The IMI-FTCCV-M is an iMedia (IM) transmitter designed to install flush in a tabletop surface to provide a convenient and low-profile interface solution. Beneath the "FlipTop" lid, a recessed compartment contains easy pull-out RGB, composite video, and stereo audio cables to facilitate the connection of a computer or AV source. The cables stow neatly within the compartment when not in use. Excess cable simply drops out-of-sight below the box through grommets provided in the bottom plate. An additional hole is available to accommodate a third-party LAN cable if needed.

Installing wiring for the IMI-FTCCV-M is extremely simple requiring just a single **CresCAT-IM** cable. Up to three IMI-FTCCV-M's, or other IM transmitters, may be installed as part of a complete system to provide multiple input locations within the room.

International AC Power Outlet

For complete connectivity, the IMI-FTCCV-M includes an AC power receptacle. A choice of outlet types is available to accommodate virtually any country or region including UK, Europe (Schuko), Italy, France, Australia, and China.

Foolproof Operation

Every iMedia system is easy and intuitive to use. A single press of the VIDEO or PC SELECT buttons inside the compartment selects the appropriate input, turns on the projector (or plasma, etc.), lowers the screen or lift, and routes all the signals where they need to go. The front panel volume control affords easy adjustment of the audio level for the computer and video inputs. When used with an IM-RXV-M series receiver, the system's microphone level can be adjusted by holding either SELECT button and turning the VOLUME knob. The entire system can be turned off at any time by simply holding down either SELECT button for 5 seconds.

For systems having more than one IM transmitter, selecting an input at a given input location overrides the previously selected input at any other location. The audio level for each input location is controlled individually by its respective volume control.

> *Flush-mount tabletop multimedia interface*

> *Streamlined user controls for foolproof operation*

> *iMedia Transport for fast and easy single-cable installation*

> *Supports XGA resolution up to 84 feet, UXGA maximum up*



to 34 feet

> *Supports composite video signals*

> *Easy pull-out cables and AC power outlet*

> *Provides microphone level control for IM-RXV-M series receivers*

> *Complete system setup in minutes using iMedia Wizard Software*

SPECIFICATIONS

RGB

Gain: 0dB (75 ohm termination)

Formats: RGBHV, RGBS, or RGsB

Resolution: 1024 x 768 @ 60Hz with maximum cable length of 84 feet, 1600 x 1200 @ 60Hz with maximum cable length of 34 feet; see manual for other resolutions

Video

Gain: 0dB (75 ohm termination)

Formats: 480i (NTSC), 576i (PAL)

Audio

A-D Conversion: 20-bit, 48 kHz

Frequency Response: 20Hz to 20kHz \pm 1dB

Connectors - Front Panel

MAX 250V~50/60Hz 10A: (1) 3-prong grounded AC socket, AC power pass-thru outlet;

Specify Socket Type: **PWR-AU-B** (Australia/China), **PWR-EU-B** (Europe "Schuko"), **PWR-FR-B** (France), **PWR-IT-B** (Italy), or **PWR-UK-B** (UK);

Maximum Load: 10 Amps @ 250 Volts AC, 50/60 Hz

IMI-FTCCV-M

Connectors - Bottom Panel

VIDEO: (1) RCA female, composite video input;
Input Impedance: 75 ohms;
Maximum Input: 1 Vp-p;
Connects to 6 ft RCA video patch cable (included)
AUDIO R & L: (2) RCA female;
Unbalanced stereo line-level audio input (linked with VIDEO);
Maximum Input Level: 2 Vrms;
Input Impedance: 10k ohms;
Connects to 6 ft RCA stereo audio patch cable (included)
PC: (1) DB15HD female, RGB(VGA) input;
Formats: RGBHV, RGBS, RGSB;
Input Impedance: 75 ohms;
Sync Impedance: 1k ohms;
Maximum Input Level: 1 Vp-p;
Maximum Sync Level: 5 Vp-p;
Connects to 6 ft VGA patch cable (included)
AUDIO: (1) 3.5mm TRS mini phone jack;
Unbalanced stereo line-level audio input (linked with PC);
Maximum Input Level: 2 Vrms;
Input Impedance: 10k ohms;
Connects to 6 ft mini-TRS audio patch cable (included)
IM: (1) 8-wire RJ45 female, iMedia output port;
Connects to IM input port of an iMedia receiver via **CresCAT-IM** cable*
G: (1) 6-32 screw, chassis ground lug
MAX 250V~50/60Hz 10A: (1) IEC socket;
Passes through to front panel AC power outlet

Controls & LED Indicators

VOLUME: (1) Rotary knob, adjusts audio level for active local input
SELECT PC: (1) Momentary pushbutton with green LED;
Momentary press initiates "system power on" command and selects local PC input;
press and hold for 5 seconds or more initiates "system power off"; press, hold and
turn VOLUME adjusts system microphone level
SELECT VIDEO: (1) Momentary pushbutton with green LED;
Momentary press initiates "system power on" command and selects local VIDEO
input; press and hold for 5 seconds or more initiates "system power off"; press,
hold and turn VOLUME adjusts system microphone level

Power Requirements

Power is provided by the IM receiver via the IM transport

Environmental

Temperature: 41° to 104°F (5° to 40°C)
Humidity: 10% to 90% RH (non-condensing)

Enclosure

Black metal; flush tabletop mountable

Dimensions

Height: 5.43 in (13.79 cm) - with lid closed
Width: 8.34 in (21.19 cm)
Depth: 6.20 in (15.74 cm) - without mounting brackets

Weight

4.42 lb (2.01 kg)
* For iMedia use **CresCAT-IM** cable, or quality CAT5e/CAT6 cable having a
maximum delay skew of 15nS per 100m.

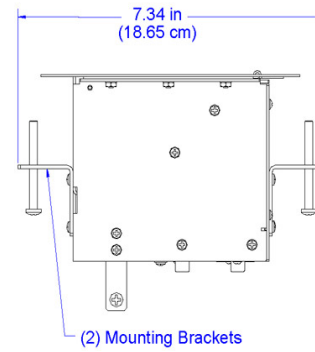
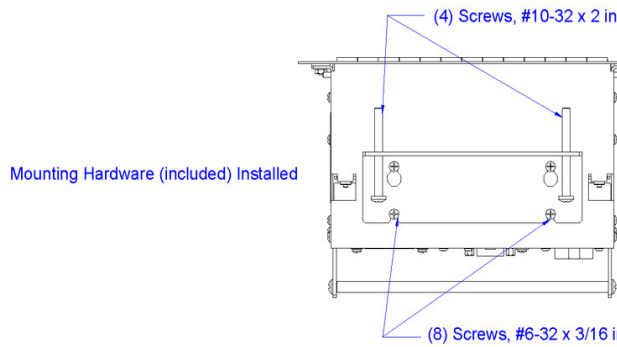
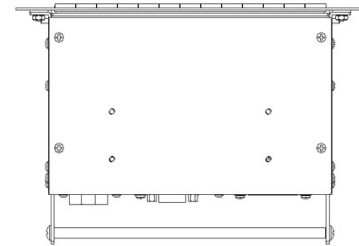
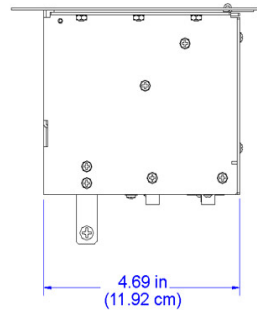
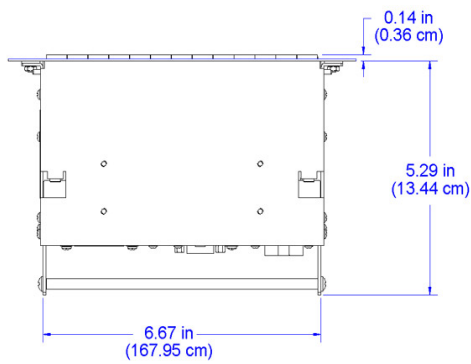
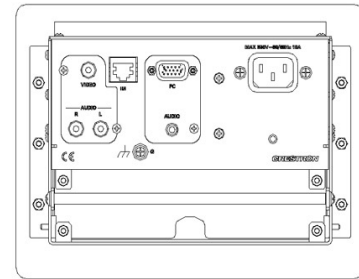
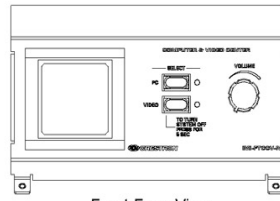
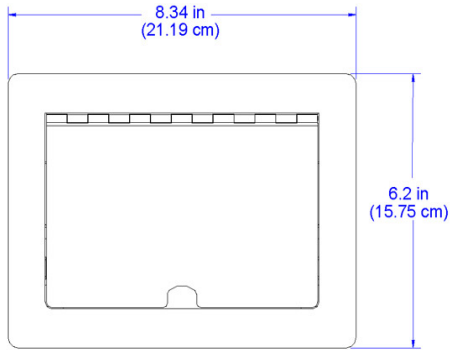
Available Models

IMI-FTCCV-M-B: iMedia FlipTop Computer & Video Center w/Mic Control,
black - International Version

Available Accessories

CRESCAT-IM-P-DRN-SP1000: iMedia Cable, Low-skew CAT5e w/drain wire
for iMedia and QuickMedia, plenum, 1000 ft spool
CRESCAT-IM-P-DRN-SP500: iMedia Cable, Low-skew CAT5e w/drain wire
for iMedia and QuickMedia, plenum, 500 ft spool

IMI-FTCCV-M



Cable Plate (included) Installed
VGA, Audio cables not shown

