

Crestron MC2W Control System with Integrated RF Gateway



The MC2W is a low cost, single-box professional RF control solution. It features an integrated 1-way switchable 418/433MHz RF gateway, making it ideal for use with the ST-1700C and the MT-500C. In fact, the MC2W is a full-featured control system that supports a variety of control formats, including IR and RS-232.

Power—The heart of the MC2W is the powerful 2-Series processor, built on Motorola's 32-bit, 257 MIPS ColdFire® technology. The MC2W features the same processor as the higher end PRO2 and AV2, with 36MB of onboard memory, allowing the MC2W to run the most sophisticated control applications.

Remote Control—The MC2W offers high-performance solutions for affordable remote control applications. The integrated 1-way RF gateway is switchable between 418MHz and 433MHz for compatibility with Crestron RF touchpanels and remotes, including the ST-1700C, the CNWM wireless mouse and the compact MT-500C. For even greater flexibility, the MC2W also provides a built-in IR input designed to work with the CNXRMIRD IR detector and any universal RC-5 IR remote.

Versatility—In addition to the integrated RF gateway and IR input, the MC2W provides I/O options such as 2 bi-directional COM ports with built-in serial drivers for controlling devices via RS-232/RS-422/RS-485; 4 IR/serial ports, programmable with the thousands of device drivers available in the Crestron databases; 4 Versiports

configurable for analog input or digital I/O; and 4 isolated relays for controlling contact closure devices. A Cresnet port rounds out the control options, for seamless integration with Crestron touchpanels and network control modules.

- > 2-Series processor built on Motorola's 32-bit 257MIPS ColdFire® technology
- > 1 IR input compatible with universal IR remotes
- > 2 bi-directional COM ports
- > 4 IR/serial ports
- > 4 Versiports
- > 4 isolated relays
- > 1-way switchable 418/433MHz RF gateway
- > PW-2410 power supply included
- > 1 Cresnet port



faircom media GmbH • Biggestr.43 • D-57462 Olpe
Tel.: +49 (0) 2761 8396 0 • Fax: +49 (0) 2761 8396 70
info@faircom-media.de • www.faircom-media.de



Crestron MC2W Control System with Integrated RF Gateway

Processor

CPU: 32-bit Motorola ColdFire® 5407 Microprocessor

Processing Speed: 257 MIPS (Dhrystone 2.1)

Memory

4MB Flash
32MB SDRAM
256KB NVRAM

Connectors

COM: (2) DB9
2-way RS-232/422/485

Relays: (4) 2-pin mini Phoenix
Normally open, isolated relays
Rated 1A, 30 Volts AC/DC
MOV arc suppression across contacts

I/O Versiports: (4) 1-pin mini Phoenix
Digital input/output or analog input
Digital input: Rated for 0-24 Volts DC; input impedance 20K ohms; logic threshold 1.24 Volts DC
Analog input: Rated for 0-10 Volts DC, protected to 24 Volts DC maximum; input impedance 20K ohms
Programmable 5V, 2K ohms pull-up resistor per pin (software reference to GND or closure to GND)

IR: (4) 2-pin mini Phoenix
IR, TTL Level, 1-way RS-232
Individual signal plus ground per port
IR output up to 1.2 MHz
Individual signal generator per port, allowing simultaneous firing of all ports

IR Receiver: (1) 3-pin mini Phoenix
For connection to the CNXRMIIRD and any universal RC-5 IR remote

RF Antenna: (1) BNC female
50 ohms (antenna included)
1-way switchable 434/418MHz

Computer: (1) DB9 female
RS-232 connection to a PC

Cresnet: (1) 4-pin mini Phoenix
Power: 24 Volts DC power jack (PW2410RU power supply included)

Reset Buttons

HW-R: Hardware reset (reboots the control system)

SW-R: Software reset (reloads the logic program)

LED Indicators

PWR: Green power LED

NET: Yellow network activity LED

ERR: Red error LED

SIG: RF activity LED

Power Requirements

10 Watts (0.21 Amps @ 24 Volts DC)
PW-2410RU power supply included
Available Cresnet power: 14 Watts

Dimensions

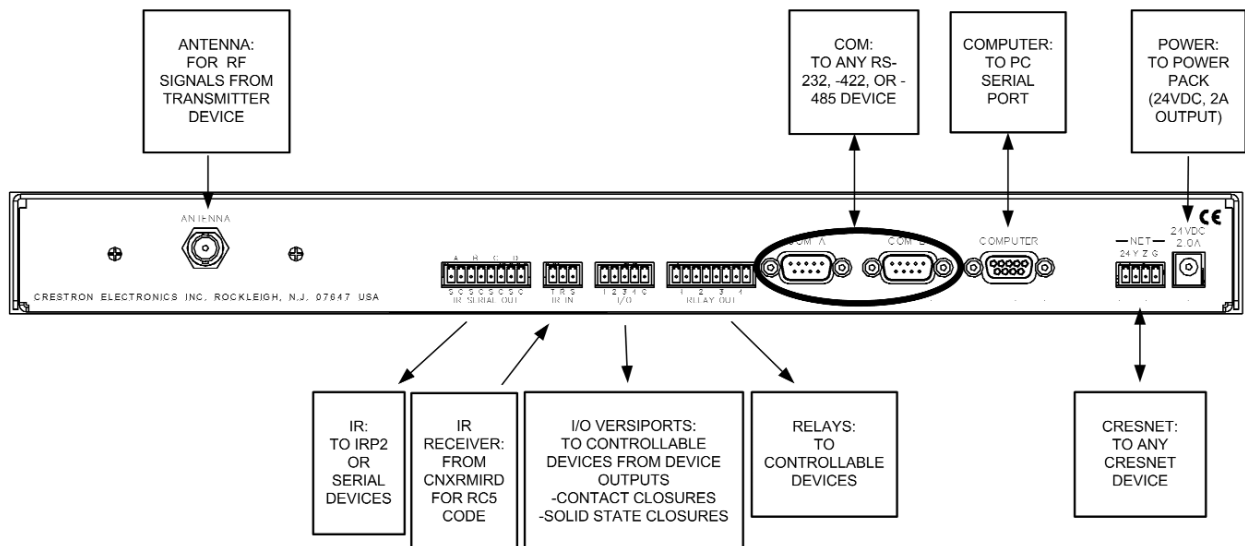
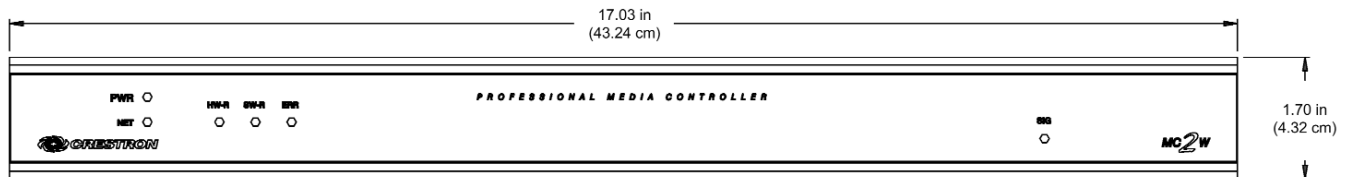
Height: 1.7 in (4.32 cm)
Width: 19.0 in (48.26 cm)
Depth: 8.5 in (21.59 cm)

Weight

4.3 lbs (2.0 kg)

Options

CNANT: High-performance extension antenna



NEW YORK	CHICAGO	MUNICH	BEIJING
LOS ANGELES	TORONTO	LONDON	SINGAPORE
ATLANTA	MEXICO CITY	PARIS	TAIPEI
DALLAS	BRUSSELS	HONG KONG	MELBOURNE

Crestron Electronics, Inc. 15 Volvo Drive • Rockleigh, NJ 07647
Tel: 800.237.2041 / 201.767.3400 • Fax: 201.767.7576 • www.crestron.com

